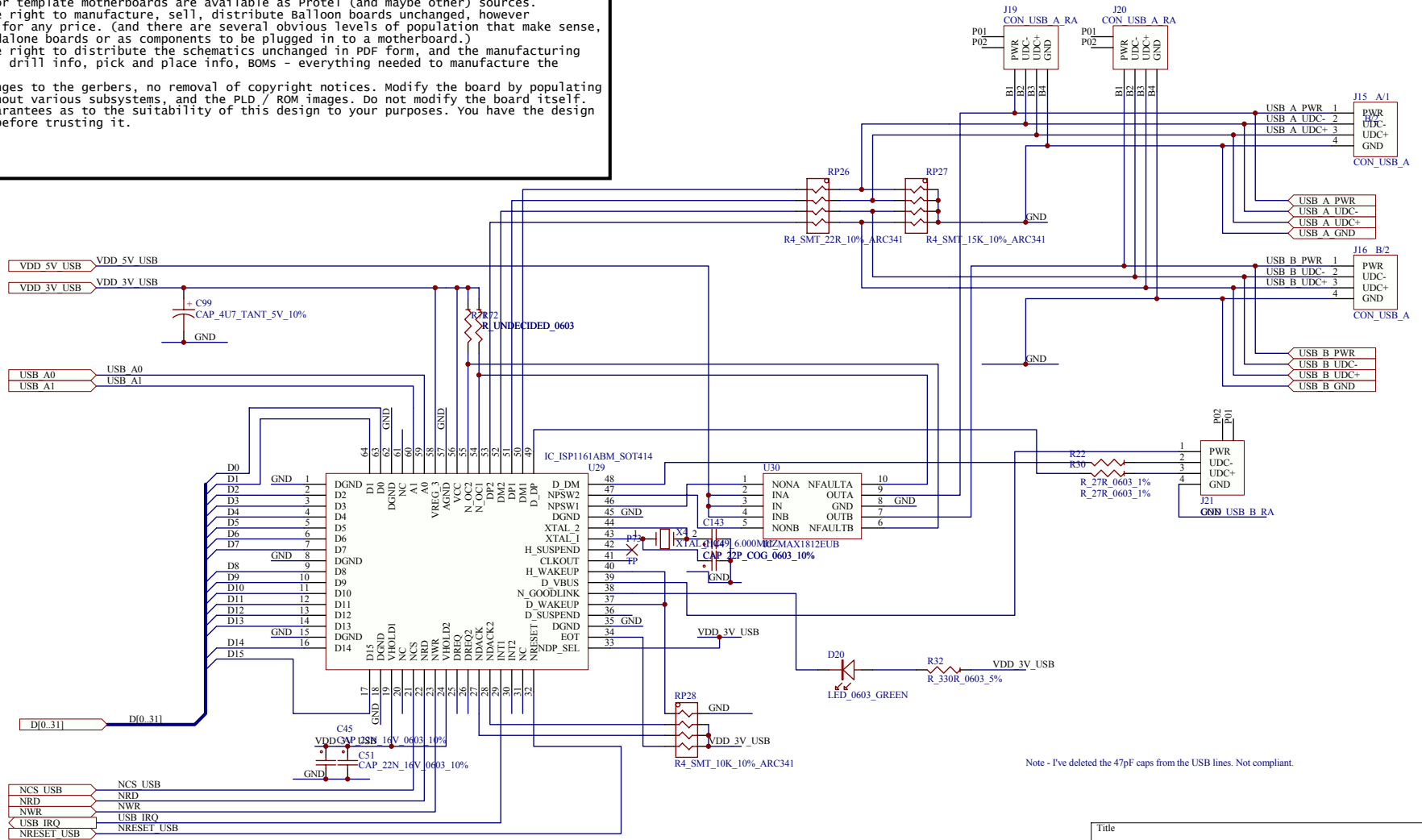


Note to all - The Protel design of this board is _NOT_ published, and copyright remains with Steve Wiseman.
 This is to avoid the proliferation of dozens of Balloon-a-like boards, which would destroy the whole concept of Balloon being a standard, low cost, easily available, easily manufacturable, board for the masses.
 If Balloon does not meet your specific requirements, then _please_ build a motherboard for it. Design files for template motherboards are available as Protel (and maybe other) sources. Everyone has the right to manufacture, sell, distribute Balloon boards unchanged, however populated, and for any price. (and there are several obvious levels of population that make sense, either as standalone boards or as components to be plugged in to a motherboard.) Everyone has the right to distribute the schematics unchanged in PDF form, and the manufacturing files (gerbers, drill info, pick and place info, BOMS - everything needed to manufacture the boards)
 That is, no changes to the gerbers, no removal of copyright notices. Modify the board by populating it with or without various subsystems, and the PLD./ ROM images. Do not modify the board itself. There are no guarantees as to the suitability of this design to your purposes. You have the design - evaluate it before trusting it.
 Steve Wiseman



Note - I've deleted the 47pF caps from the USB lines. Not compliant.

Title		
Copyright Steve wiseman 2001-2003		
Size	Number	Revision
B		
Date:	1-Apr-2003	Sheet of
File:	D:\Documents and Settings\Chris\Desktop\BOM\BOM2.05\Balloon 2.05 as released\Balloon2	